

Standard equipment

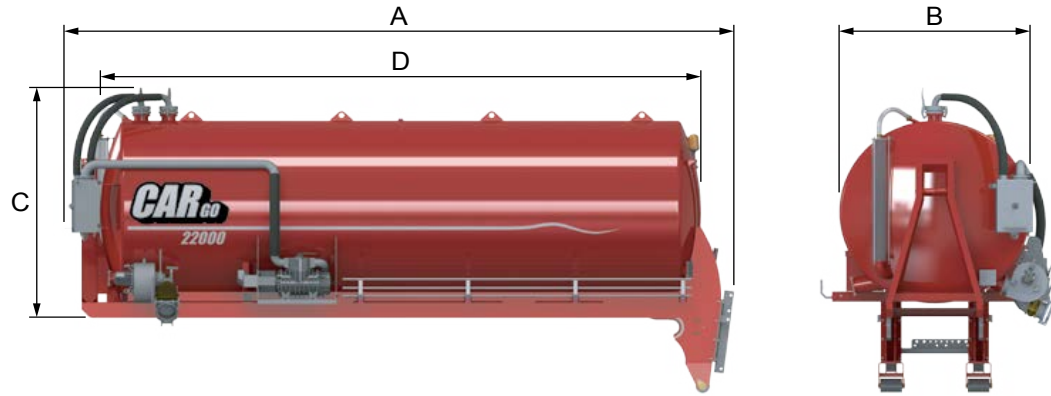
- Galvanized tank with manhole 600 mm
- Angle steels against tank and container slide suitable for hook system UNP 180, extra reinforced in the middle, with hook height 1450 mm (slide width = 1065 mm)
- Tank content meter against front wall
- Big sight glass at back side
- Hydraulic shut-off valve at the back 6"
- Side connection 6" with fastener at the left front
- Blind flange 8" at the left front and 6" at the right front
- 4 Metres hose 6" with couplings
- Double shut-off valves on top
- Compact Cargo VDL hook system excluded

Article number	Description	Prices EURO
241-150	Cargo CT 15000	13.400
241-170	Cargo CT 17000	14.550
241-200	Cargo CT 20000	16.690
241-220	Cargo CT 22000	17.745
241-240	Cargo CT 24000	18.310
241-265	Cargo CT 26500	18.865
241-300	Cargo CT 30000	20.430



Article number	Optional equipment	Prices EURO
241-901-087-001	Coating after galvanising in RAL colour of your choice (up to Cargo CT 17000)	3.510
241-901-087-002	Coating after galvanising in RAL colour of your choice (from Cargo CT 20000)	4.235
241-901-043	Different dimensions for length and diameter with the same capacity	355
241-901-045	Angle steels with adjustment holes for complete length of tank, angle steels decreasing in angle of 2°	1.155
241-901-046-...	Extra blind flange 6"/8" in random position	115
241-901-095	Container slide suitable for cable system	95
241-901-096	Container slide suitable for cable and hook system	360
241-901-094	Plastic wheels at the back of the slide	560
241-901-051	Galvanized mud guards and hose rack	1.195
241-901-084	Pump Juroop PN 84 capacity 9000 litres per minute with self-cleaning moisture guard and shut-off valves on top driven by a Volvo plunger motor 60 litres per minute and 400 bar maximum	5.540
241-901-068	Idem, pump Juroop PNE 102 capacity 10200 litres per minute	5.850
241-901-069	Idem, pump Juroop PNE 122 capacity 12200 litres per minute	6.025
241-901-085	Idem, pump Juroop PNR 142 capacity 14200 litres per minute *	6.910
241-901-089	Idem, water-cooled vacuum pump Juroop LC 420 capacity 12200 litres per minute *	7.985
241-901-056	Idem, pump B.P. Star 84/MA capacity 14800 litres per minute *	6.080
241-901-057	Idem, water-cooled pump B.P. WPT 600/MA capacity 10400 litres per minute *	8.235
241-901-058	Idem, water-cooled pump B.P. WPT 720/MA capacity 13000 litres per minute *	8.995
241-901-059	Idem, water ring pump Samson capacity 21000 litres per minute *	23.410
241-901-060	Encased tank for vacuum pump, with tank diameter bigger than 1800 mm or with *	715
241-901-139-001	Hydraulic change over for the vacuum pump #	425
241-901-062	Shut-off valves on top mounted in front of the tank	355
241-901-141-001	Moisture guard with extra security	530
241-901-142-001	Silencer for vacuum pump	470
241-901-164-002	Turbo filler 8" driven by hydraulic motor (recommended for deep slurry cellar) #	3.755
241-901-002-...	Extra side connection 6" with fastener <input type="radio"/> LF <input type="radio"/> RF <input type="radio"/> LB <input type="radio"/> RB	470
241-901-003-...	Extra side connection 8" with fastener <input type="radio"/> LF <input type="radio"/> RF <input type="radio"/> LB <input type="radio"/> RB	930
241-901-004	5 Metres hose 6" instead of 4 metres	110
241-901-005	4 Metres extension hose 6" with male and female coupling	470
241-901-006	4 Metres hose 8" with couplings	470
241-901-011	Suction tube 8" 290° turnable mounted at the back including electro-hydraulic operation	13.350
241-901-027	Sight tube Ø 150 mm instead of tank content meter, mounted in front wall of the tank	470
241-901-081	Prepared for flow-meter	1.820
241-901-014	Adjusted back side of tank + weld-on parts for Peecon lever system	1.260
241-901-152-...	Electro-hydraulic function applicable with options with # - per function	840
ATTENTION! With container tanks with build-up of pump or other hydraulically or air-operated options, no regard is paid for supply hoses and operating valves. These will be calculated to you by means of calculation of hourly wages and spare parts.		
Optional equipment for converting loose tanks into container tanks (CT)		
241-901-024	Manhole Ø 600 mm on top of tank	895
241-901-052	Manhole Ø 1100 mm hinging instead of Ø 600 mm	1.195
241-901-079	Sliding fill hatch ∇ 600 mm on top of tank hydraulically operated #	1.990
241-901-175	Steps to manhole/sliding fill hatch	475
241-901-020	Complete back wall hydraulically operated, manually locked #	5.815
241-901-021	Complete back wall hydraulically operated, hydraulically locked 2x #	11.625
241-901-022	Fortification rings on the outside of the tank (inside of the tank is completely smooth)	895
241-901-023	Stainless steel slide plate in the tank and fortification rings on the outside of the tank	2.670
241-901-026	Oblong industrial sight glasses per 4	530

Loose Cargo Container Tanks



Container Tanks		15000	17000	20000	22000
Volume	m ³	15	17	20	22
Total length (A)	mm	6160	6210	7210	7210
Width (B)	mm	1900	2000	2000	2100
Height (C)	mm	2200	2300	2300	2400
Length body (D)	mm	5590	5600	6610	6620
Weight	kg	3750	3850	3850	3950



Container Tanks		24000	26500	30000
Volume	m ³	24	26,5	30
Total length (A)	mm	7235	7260	8260
Width (B)	mm	2200	2300	2300
Height (C)	mm	2500	2600	2600
Length body (D)	mm	6635	6640	7640
Weight	kg	4050	4150	4150



241-901-046-...



241-901-094



241-901-060



241-901-051



241-901-085



241-901-027 / 084



241-901-014



241-901-043